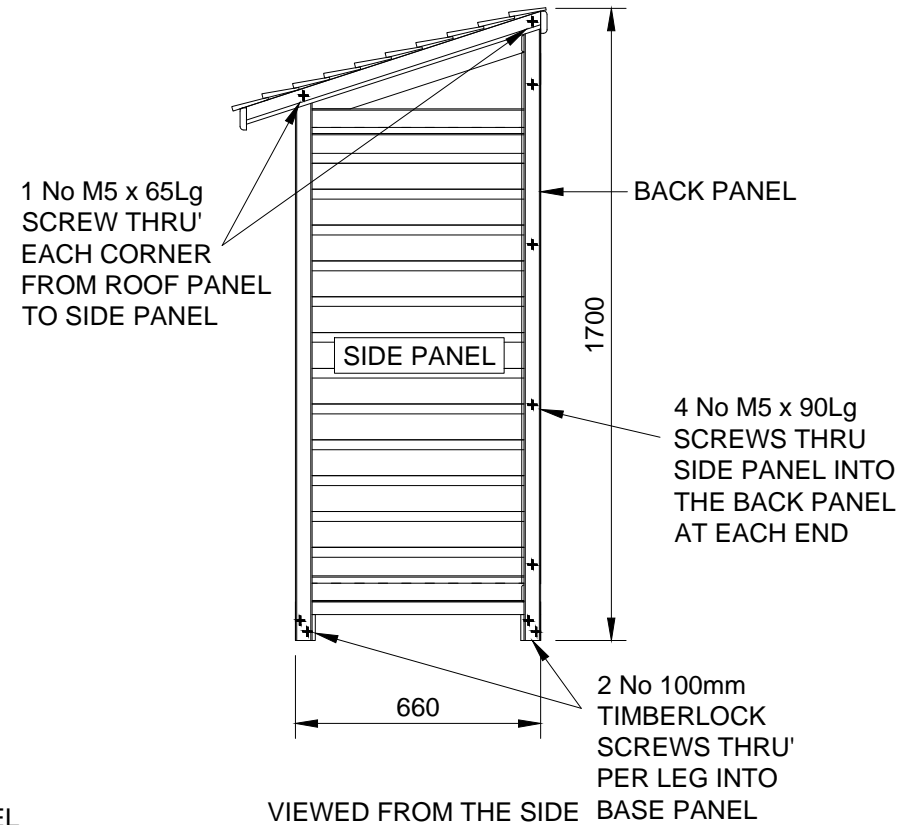
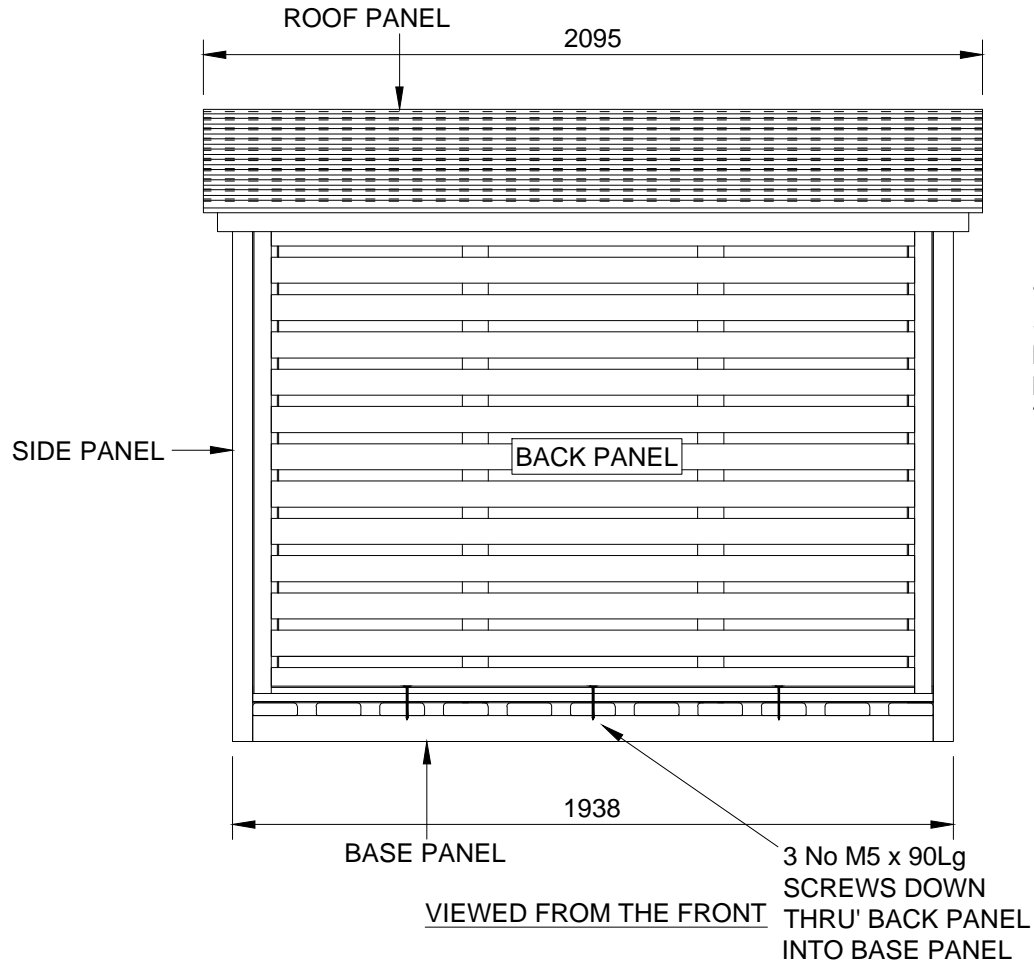


DO NOT SCALE – IF IN DOUBT ASK



NOTE:
 ALL PANELS ARE PRE-DRILLED
 INDICATIONS FOR SCREWS SHOWN
 FIXINGS LIST
 4 No M5 x 65Lg SCREWS
 11 No M5 x 90Lg SCREWS
 8 No 100mm TIMBERLOCK SCREWS

Jacksons
 FINE FENCING

Stowting Common
 Near Ashford,
 KENT. TN25 6BN
 Telephone : 01233 750393
 Fax: 01233 750403
 Int. Tel : +44 (0)1233 750393

This Drawing Is The Property Of H.S. Jackson & Son (Fencing) Ltd.
 And May Not Be Copied Or Reproduced In Any Way Without Prior Written Permission.



Original Issue

Drawn	LP
Date	15/01/14
Checked	AT
Size	A3
Scale	1: U.O.S

TITLE	LOG STORE ASSEMBLY INSTRUCTIONS	
CUSTOMER	Drawing No.	
ACK No.	REF: (660720)	