

CUSTOMER NAME: .....

ACK No. ....

SALESMAN: .....

L/H or R/H TO OPEN FIRST: .....

SPECIAL INSTRUCTIONS: .....

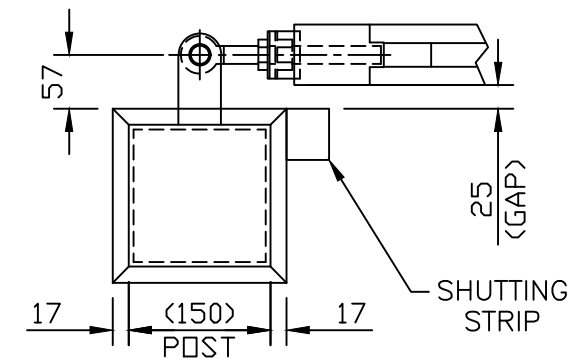
**NOTES.**  
 ALL DIMENSIONS ARE IN mm (UNO)  
 GAPS UNDER GATES & FENCING  
 ARE NOMINAL DUE TO GROUND LEVELS.

**MATERIALS.**  
 GATE POSTS: 150 x 150 SHS

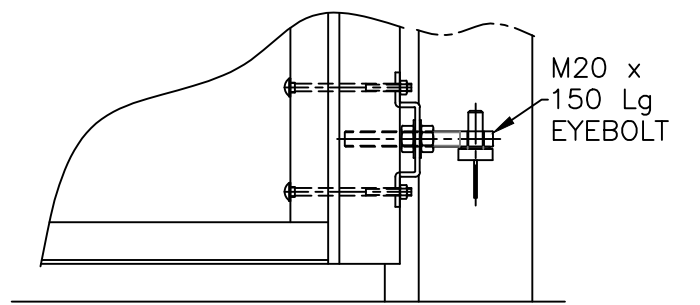
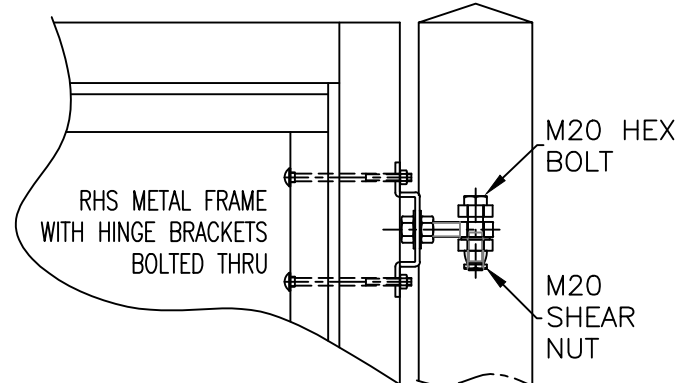
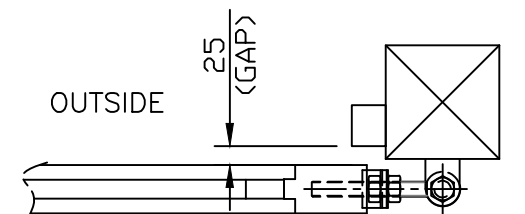
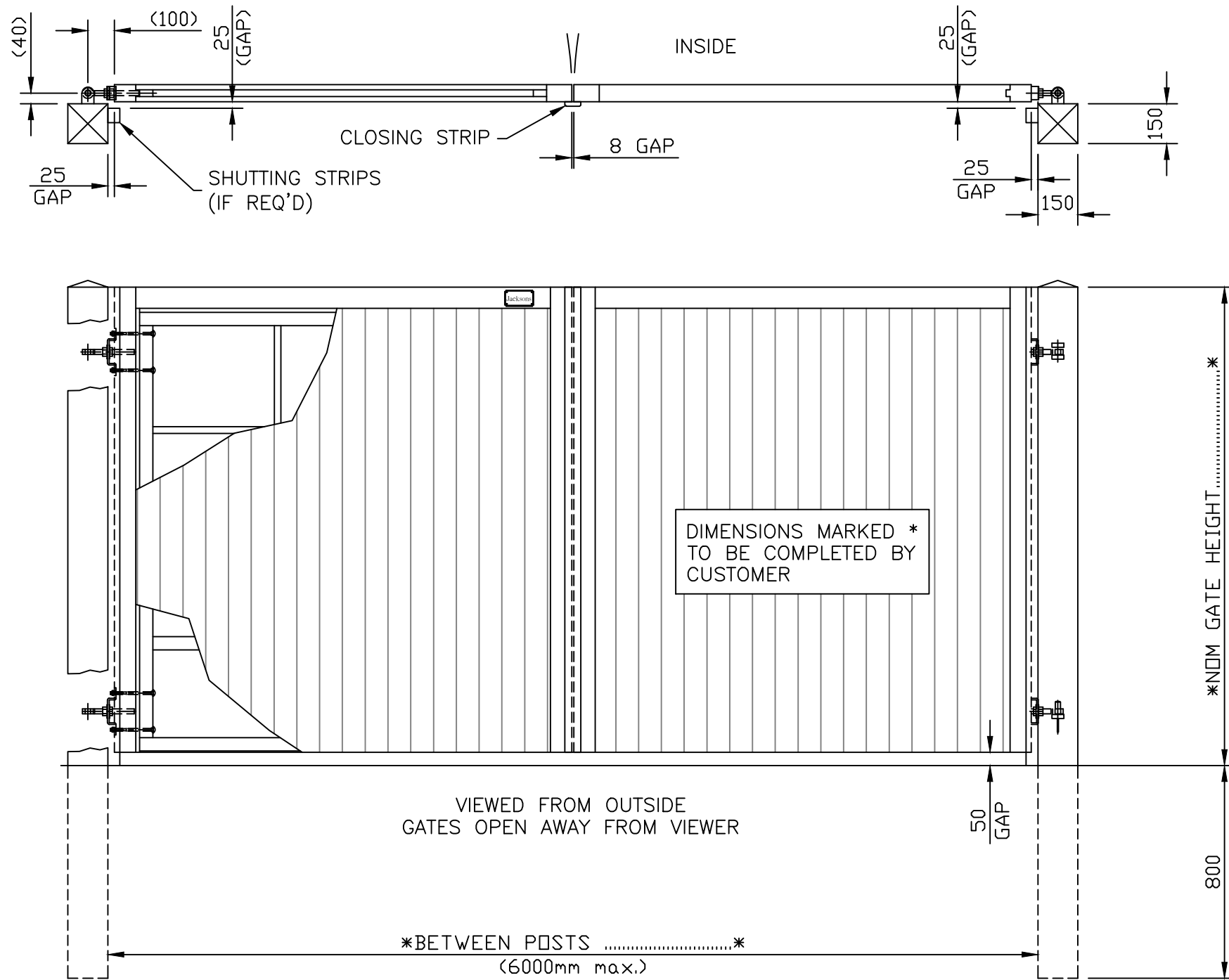
**FINISH.**  
 TIMBER: JAKCURED  
 GALVANISED TO BS EN ISO 1461  
 POWDER COATED: IF REQUESTED

GATES CAN BE SUPPLIED WITH  
 OPTIONAL FITTINGS PACK,  
 WHICH INCLUDES:  
 RING LATCH  
 DROPBOLTS & RECEIVERS  
 STOP POSTS & CABIN HOOKS  
 CENTRE GATE STOP

JACKSONS RESERVE THE RIGHT TO  
 CHANGE THE STANDARD DESIGN TO  
 IMPROVE THE PRODUCT AT ANY TIME



**TIMBER CLAD POST OPTION**  
 (17mm THK CLADDING)



VIEWED FROM INSIDE



Stowting Common, Near Ashford,  
 Kent. TN25 6BN  
 Telephone: 01233 750393  
 Fax: 01233 750403  
 www.jacksons-fencing.co.uk  
 www.jacksons-security.co.uk

DO NOT SCALE - IF IN DOUBT ASK

16	01/05/2018	EYEBOLT FIXINGS CORRECTED
14	10/01/17	SHEAR NUT REV'D
13	28/09/16	BETWEEN POSTS INCREASED
12	15/12/09	S/STRIP GAP CHANGED TO 25

Drawn NM  
 Date 24/09/01  
 Checked  
 Size A3  
 Scale 1:20 U.O.S

TITLE SALES DRAWING - DOUBLE RYE COURTYARD GATES

CUSTOMER

ACK No.

Drawing No. J7/02134  
 Sheet 1

This Drawing Is The Property Of H.S. Jackson & Son (Fencing) Ltd, And May Not Be Copied Or Reproduced In Any Way Without Prior Written Permission.