

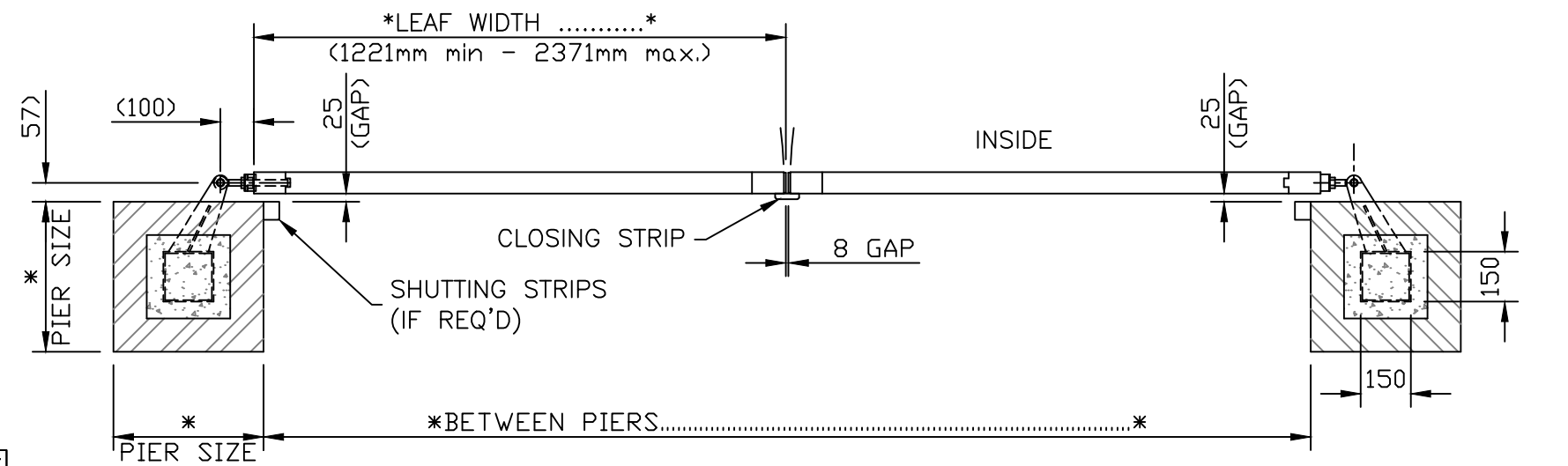
CUSTOMER NAME:

ACK No.

SALESMAN:

L/H or R/H TO OPEN FIRST:

SPECIAL INSTRUCTIONS:



JACKSONS ACCEPT NO RESPONSIBILITY FOR THE STRENGTH & INTEGRITY OF BRICK WALLS OR PIERS

GATES CAN BE SUPPLIED WITH OPTIONAL FITTINGS PACK, WHICH INCLUDES:

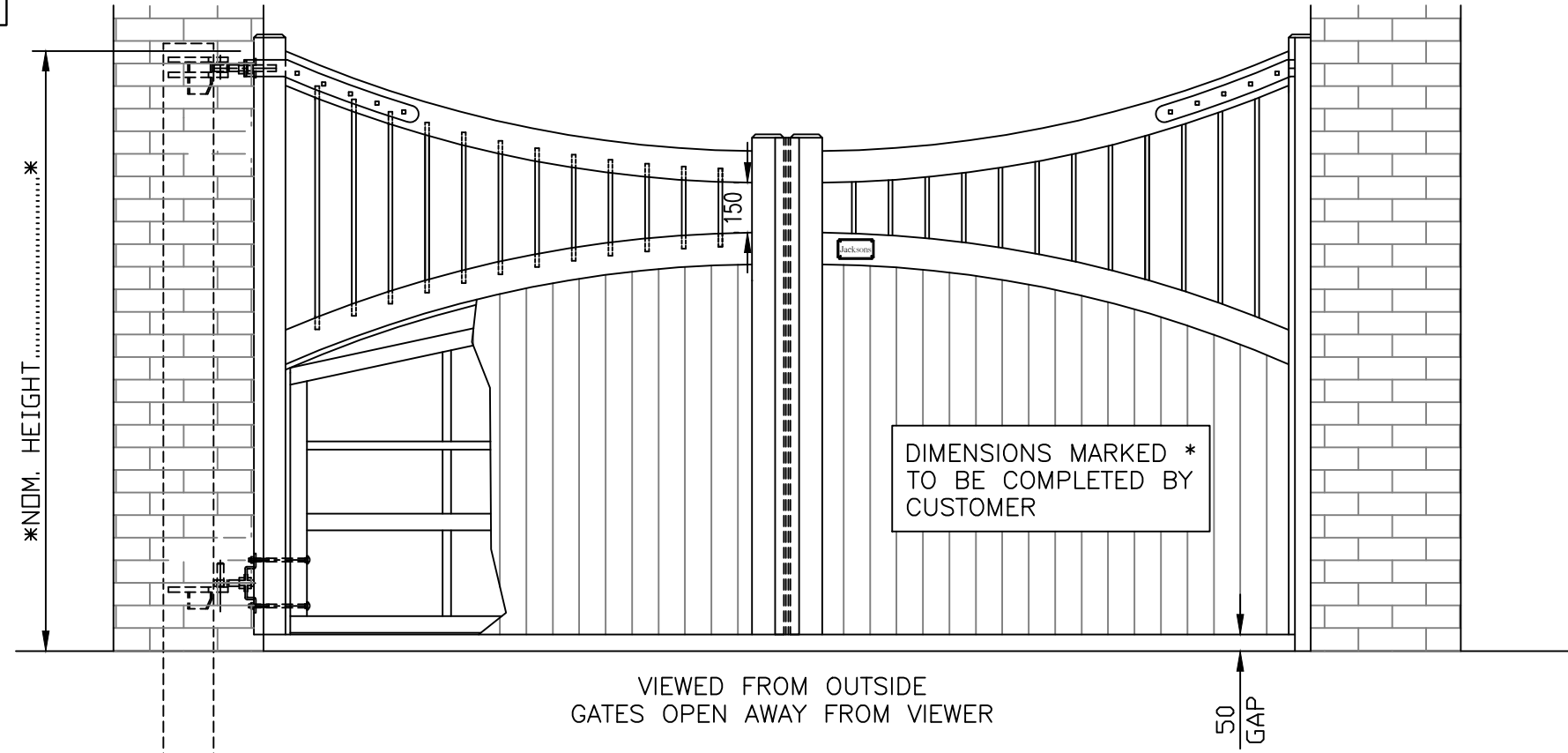
- RING LATCH
- DROPBOLTS & RECEIVERS
- STOP POSTS & CABIN HOOKS
- CENTRE GATE STOP

JACKSONS RESERVE THE RIGHT TO CHANGE THE STANDARD DESIGN TO IMPROVE THE PRODUCT AT ANY TIME

NOTES.
 ALL DIMENSIONS ARE IN mm (UNO)
 GAPS UNDER GATES & FENCING ARE NOMINAL DUE TO GROUND LEVELS.

MATERIALS.
 GATE POSTS: 150 x 150 SHS

FINISH.
 TIMBER: JAKCURED
 GALVANISED TO BS EN ISO 1461
 POWDER COATED: IF REQUESTED



NEW BRICK PIERS TO BE BUILT AROUND GATE POSTS AFTER INSTALLATION. IT IS RECOMMENDED TO FILL PIER CAVITY & POST WITH CONCRETE FOR EXTRA STRENGTH



Stowting Common, Near Ashford, Kent. TN25 6BN
 Telephone: 01233 750393
 Fax: 01233 750403
 www.jacksons-fencing.co.uk
 www.jacksons-security.co.uk

DO NOT SCALE - IF IN DOUBT ASK

Drawn LA
 Date 05/02/20
 Checked
 Size A3
 Scale 1:20 U.O.S

TITLE SALES DRAWING - DOUBLE CATHEDRAL COURTYARD GATES - POSTS IN PIERS

CUSTOMER
 Drawing No. J7/02190
 Sheet 3

This Drawing Is The Property Of H.S. Jackson & Son (Fencing) Ltd, And May Not Be Copied Or Reproduced In Any Way Without Prior Written Permission.

05/02/20 ORIGINAL ISSUE