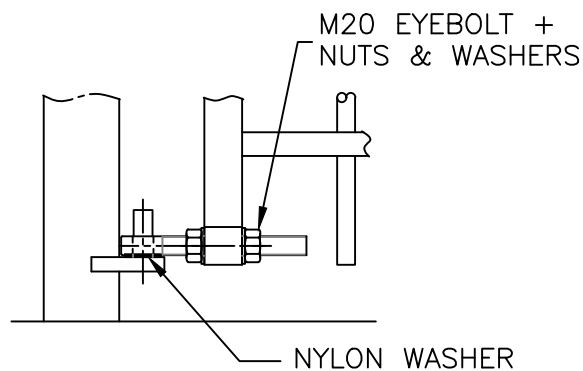
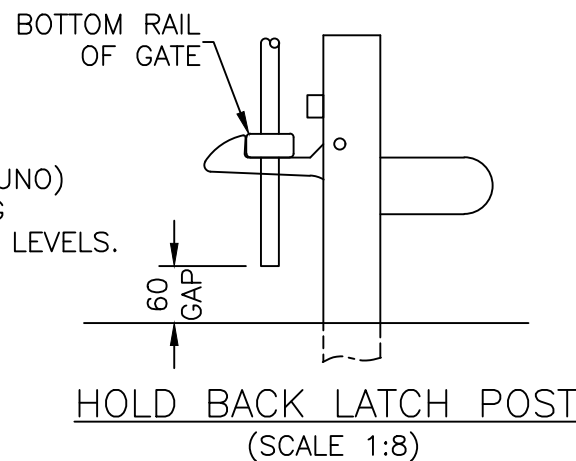


TOP HINGE DETAIL



BOTTOM HINGE DETAIL
(SCALE 1:8)



HOLD BACK LATCH POST
(SCALE 1:8)

NOTES.

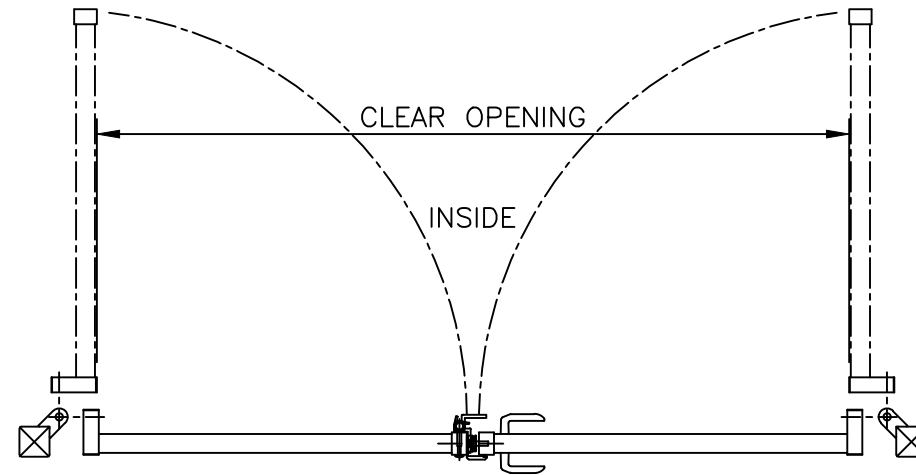
ALL DIMENSIONS ARE IN mm (UNO)
GAPS UNDER GATES & FENCING
ARE NOMINAL DUE TO GROUND LEVELS.

MATERIALS.

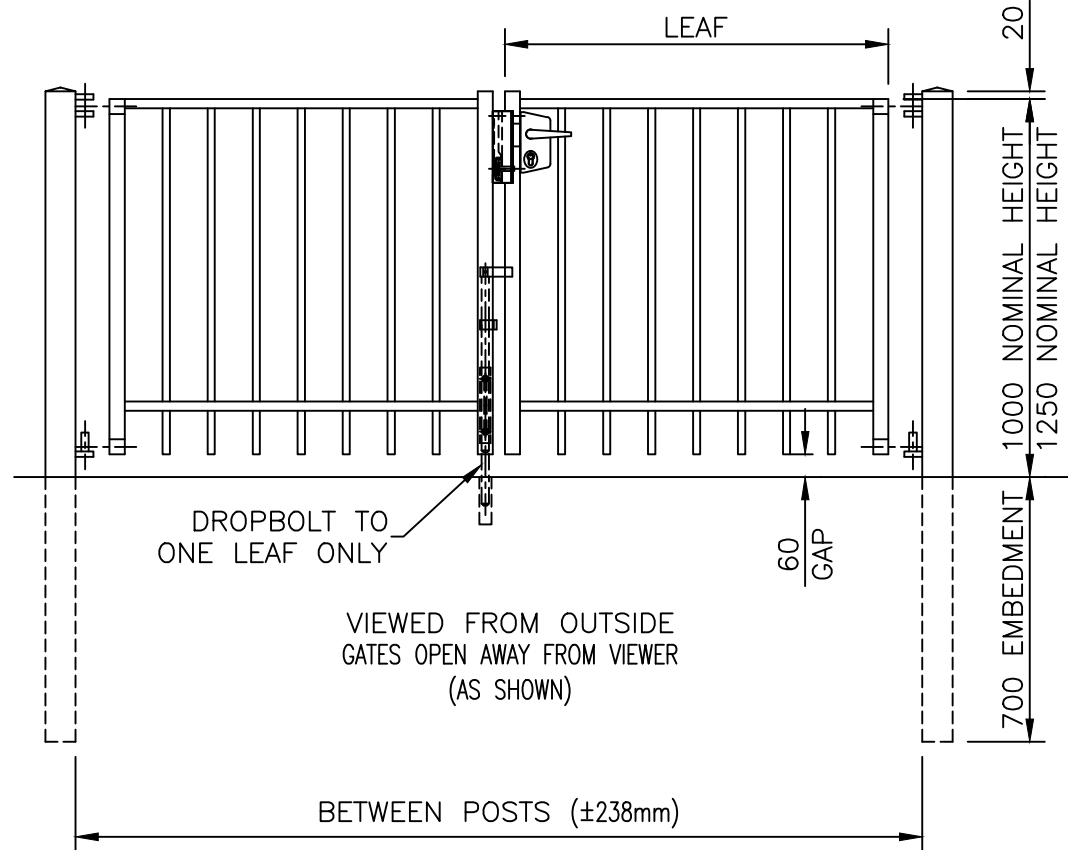
HANG POST: SEE TABLE
RAILS: 50 x 25 RHS
STILES: 60 x 40 RHS
PALES: ϕ 19 CHS

FINISH.

GALVANISED TO BS EN ISO 1461
POWDER COATED: IF REQUESTED

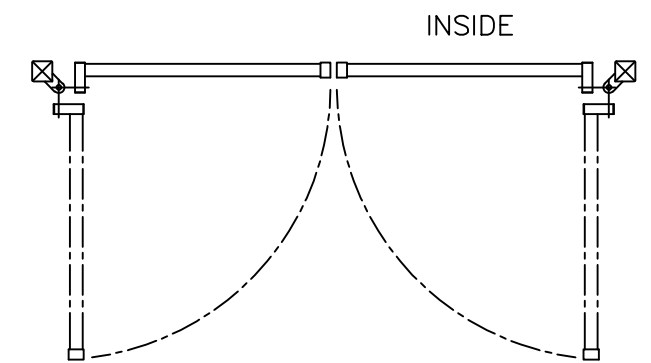


GATES SECURED USING
DROPBOLT & KEY LOCK

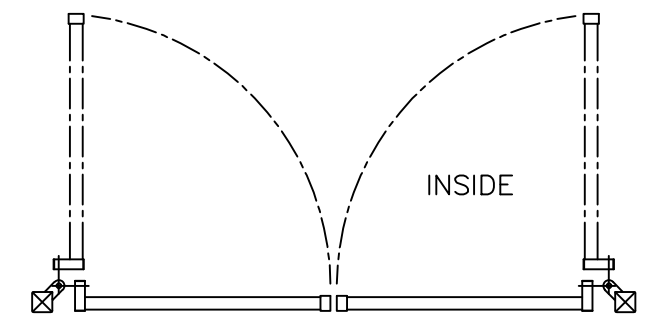


1m & 1.25m STANDARD FENCE HEIGHTS

DOUBLE GATES (KEY LOCK)			
BETWEEN POSTS	CLEAR OPENING	LEAF	POST SIZE
2002	1752	895	80 x 80 SHS
2240	1990	1014	80 x 80 SHS
2478	2228	1133	80 x 80 SHS
2716	2466	1252	80 x 80 SHS
2954	2704	1371	80 x 80 SHS
3192	2942	1490	80 x 80 SHS
3430	3180	1609	100 x 100 SHS
3668	3418	1728	100 x 100 SHS
3906	3656	1847	100 x 100 SHS
4144	3894	1966	100 x 100 SHS
4382	4132	2085	100 x 100 SHS
4620	4370	2204	100 x 100 SHS



OPEN OUT



OPEN IN

Jacksons Fencing

Stowting Common, Near Ashford,
Kent. TN25 6BN
Telephone: 01233 750393
Fax: 01233 750403
www.jacksons-fencing.co.uk
www.jacksons-security.co.uk

DO NOT SCALE - IF IN DOUBT ASK

- ① 17/05/2018 NEW BOARDER + REDRAWN
- ② 26/10/2016 Original Issue

Drawn BW
Date 26/10/2016
Checked CJ
Size A3 Scale 1:20 U.O.S

TITLE SENTRY 'RESIDENTIAL' DOUBLE GATES
SALES DRAWING (KEY LOCK)

CUSTOMER
ACK No.

Drawing No.
J6/02063
Sheet 4