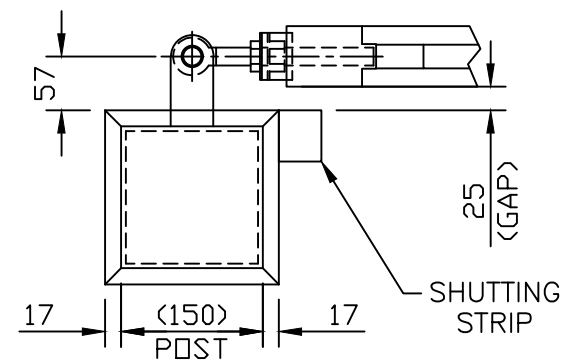


CUSTOMER NAME: .....  
 ACK No. ....  
 SALESMAN: .....  
 L/H or R/H TO OPEN FIRST: .....  
 SPECIAL INSTRUCTIONS: .....

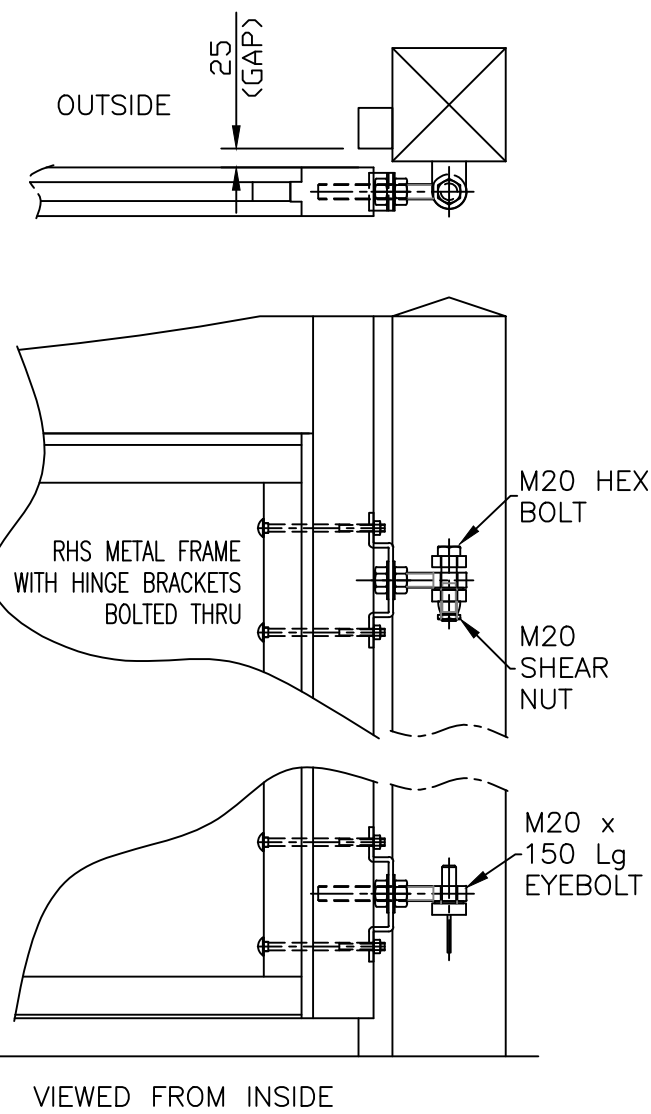
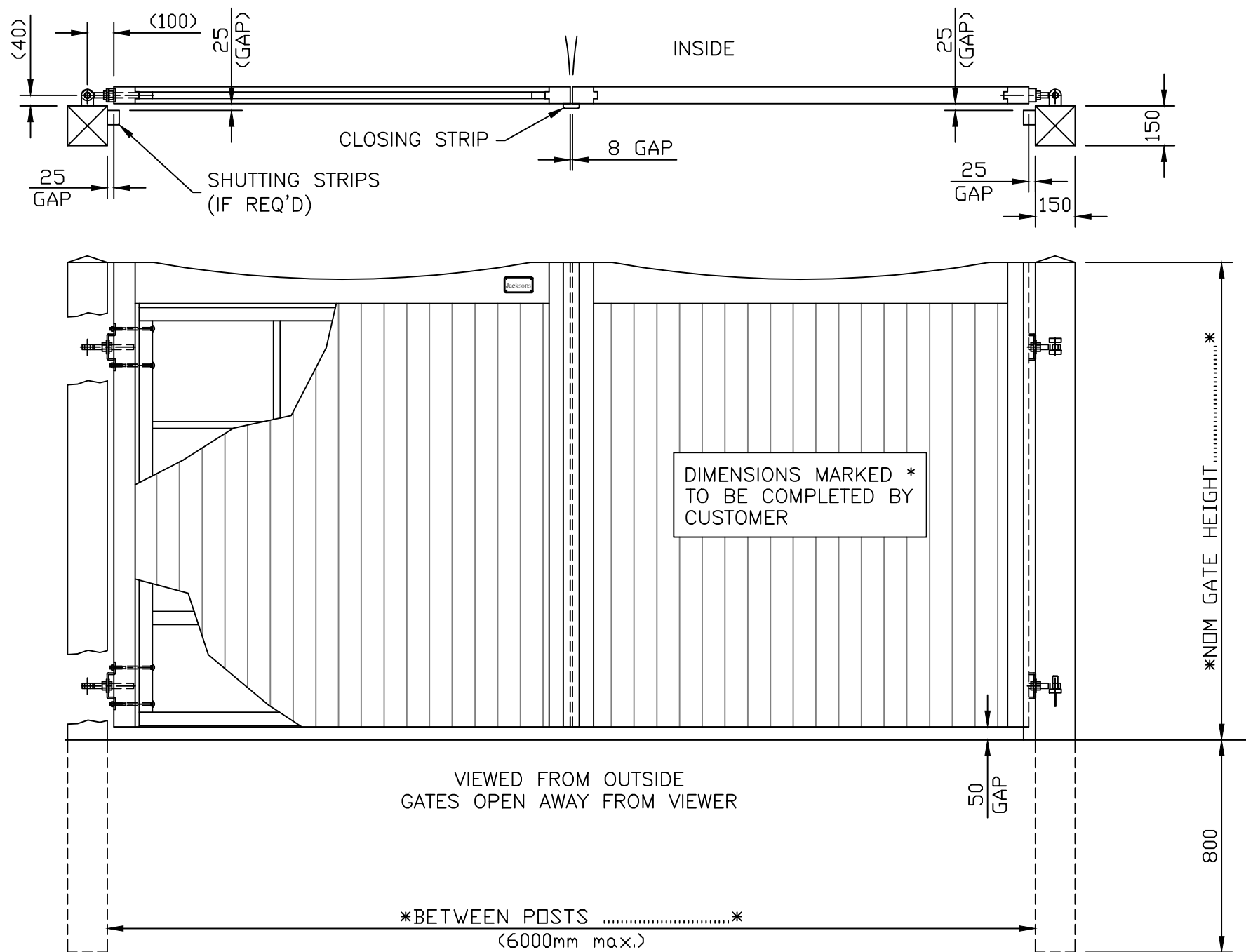
**NOTES.**  
 ALL DIMENSIONS ARE IN mm (UNO)  
 GAPS UNDER GATES & FENCING  
 ARE NOMINAL DUE TO GROUND LEVELS.  
**MATERIALS.**  
 GATE POSTS: 150 x 150 SHS  
**FINISH.**  
 TIMBER: JAKCURED  
 GALVANISED TO BS EN ISO 1461  
 POWDER COATED: IF REQUESTED

GATES CAN BE SUPPLIED WITH  
 OPTIONAL FITTINGS PACK,  
 WHICH INCLUDES:  
 RING LATCH  
 DROPBOLTS & RECEIVERS  
 STOP POSTS & CABIN HOOKS  
 CENTRE GATE STOP

JACKSONS RESERVE THE RIGHT TO  
 CHANGE THE STANDARD DESIGN TO  
 IMPROVE THE PRODUCT AT ANY TIME



**TIMBER CLAD POST OPTION**  
 (17mm THK CLADDING)



**Jacksons Fencing**

Stowting Common, Near Ashford,  
 Kent. TN25 6BN  
 Telephone: 01233 750393  
 Fax: 01233 750403  
 www.jacksons-fencing.co.uk  
 www.jacksons-security.co.uk

DO NOT SCALE - IF IN DOUBT ASK

- 15 01/05/2018 EYEBOLT FIXINGS CORECTED
- 14 27/04/2017 BORDER + BOT MID RAIL
- 13 10/01/17 SHEAR NUT REV'D
- 12 28/09/16 BETWEEN POSTS INCREASED
- 11 15/12/09 S/STRIP GAP 25mm

Drawn NM  
 Date 24/09/01  
 Checked  
 Size A3 Scale 1:20 U.O.S

TITLE SALES DRAWING - DOUBLE SANDWICH COURTYARD GATES

CUSTOMER  
 ACK No.

Drawing No.  
**J7/02133**  
 Sheet 1